



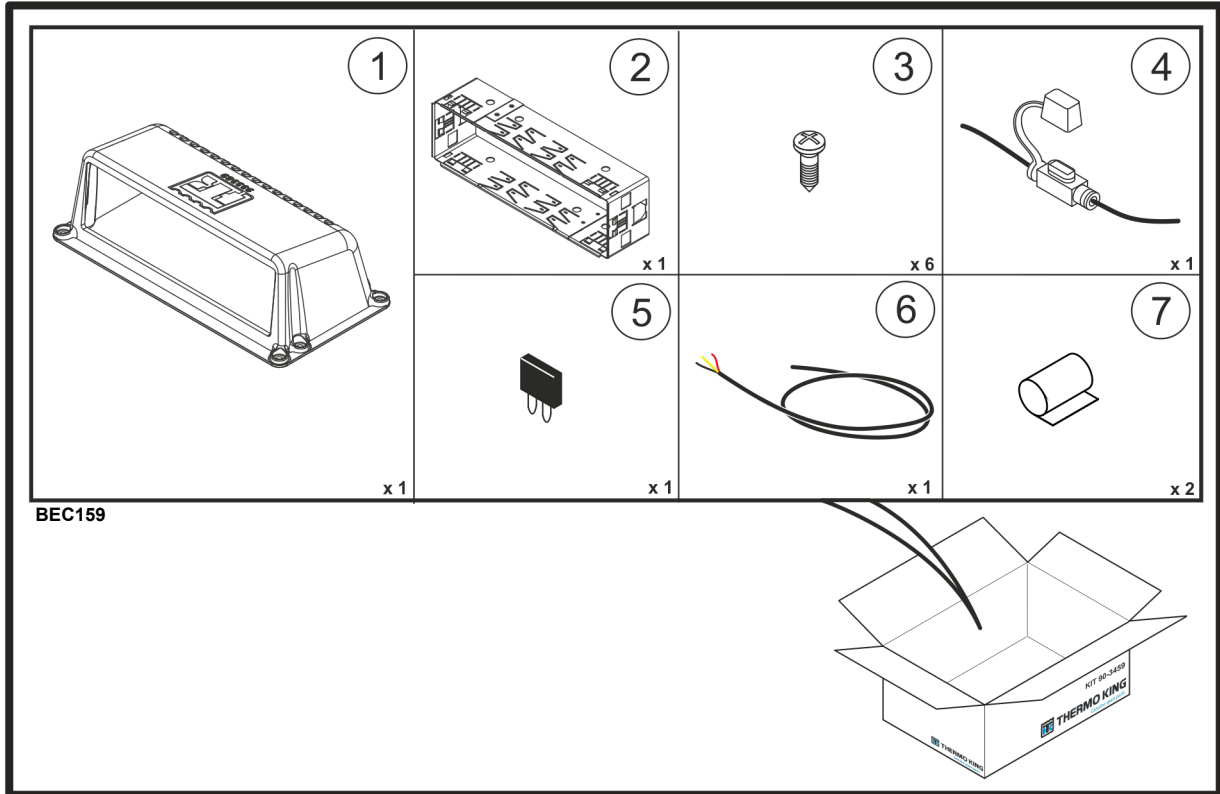
THERMO KING

In Cab Installation Kit for TouchPrint INSTALLATION MANUAL

KIT 90-3459

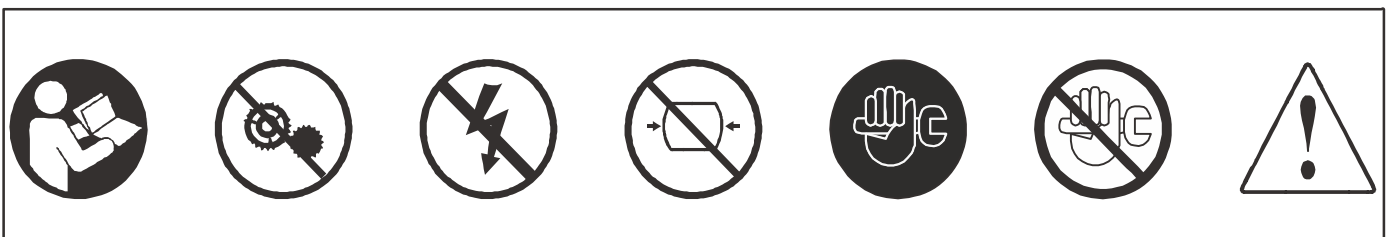
Units: Truck / Van

Kit Contents

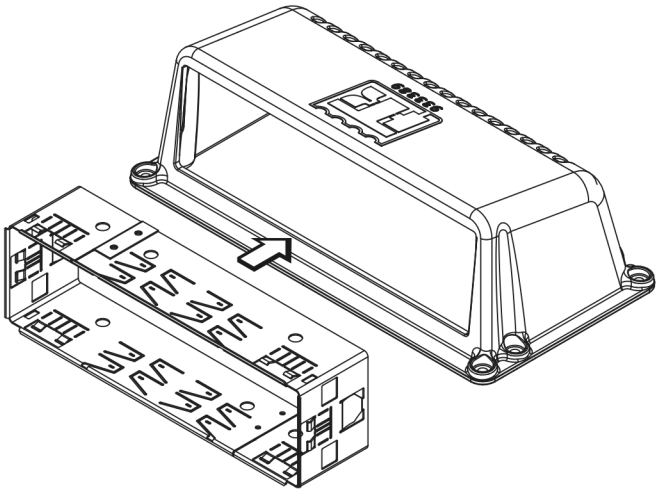


Item	Part Number	Description	Qty
1.	93-3389	In-Cab Mount, TouchPrint	1
2.	91-4618	Bracket, Panel	1
3.		Screw M4, Self Tapping	6
4.	42-1235	Holder, Fuse	1
5.	41-3080	Fuse, Mini 2 Amp 32 V	1
6.	42-1236	Cable, Power - 3 m	1
7.		Paper Roll	2

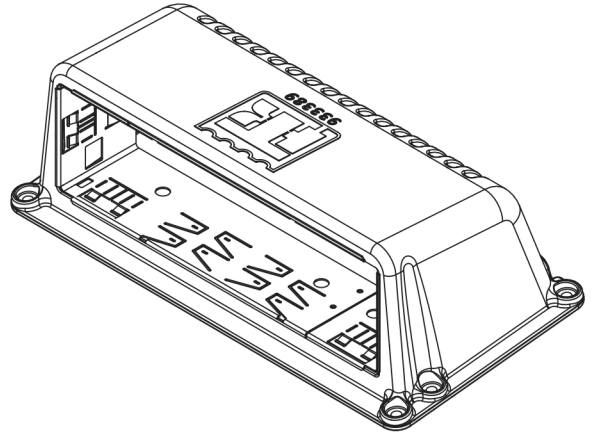
Figure 1: 90-3459 Kit Contents



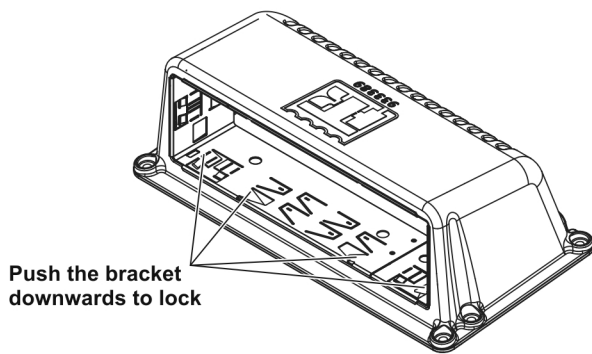
STEP 1



STEP 2

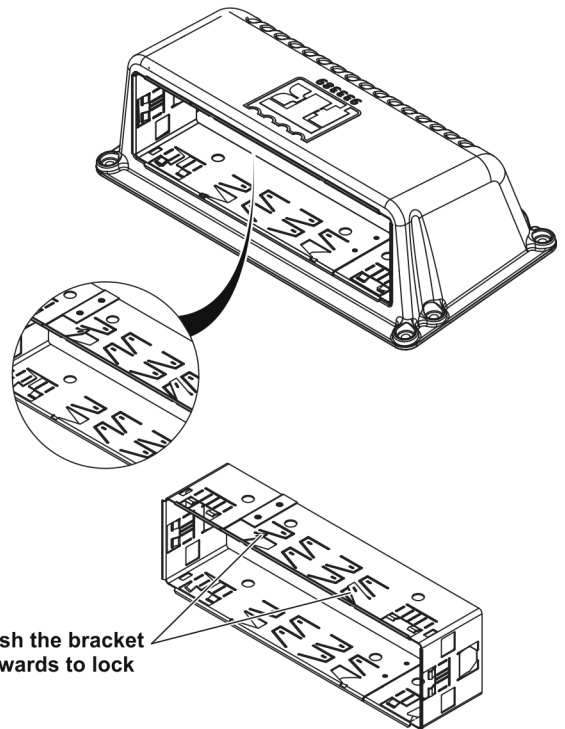


STEP 3



Push the bracket downwards to lock

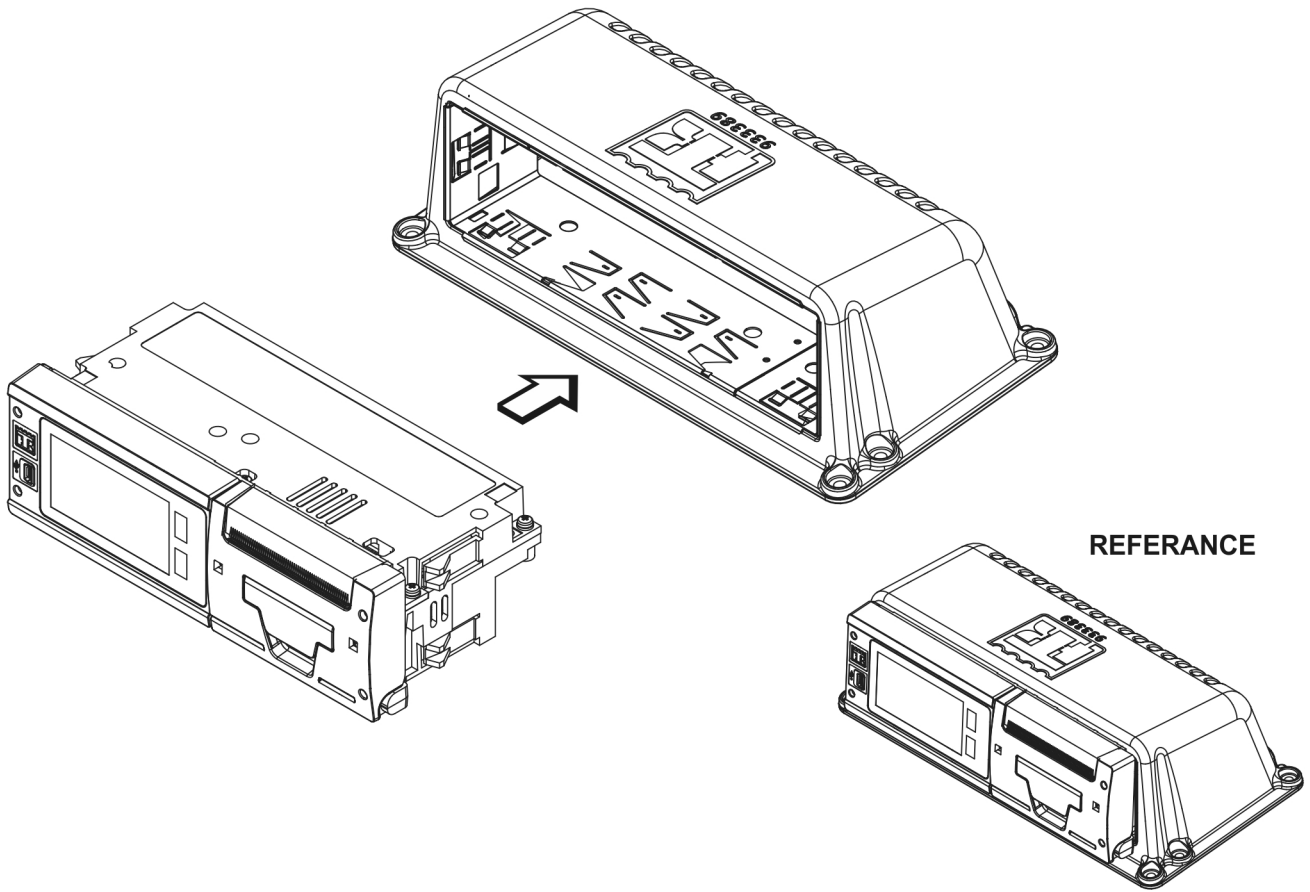
STEP 4



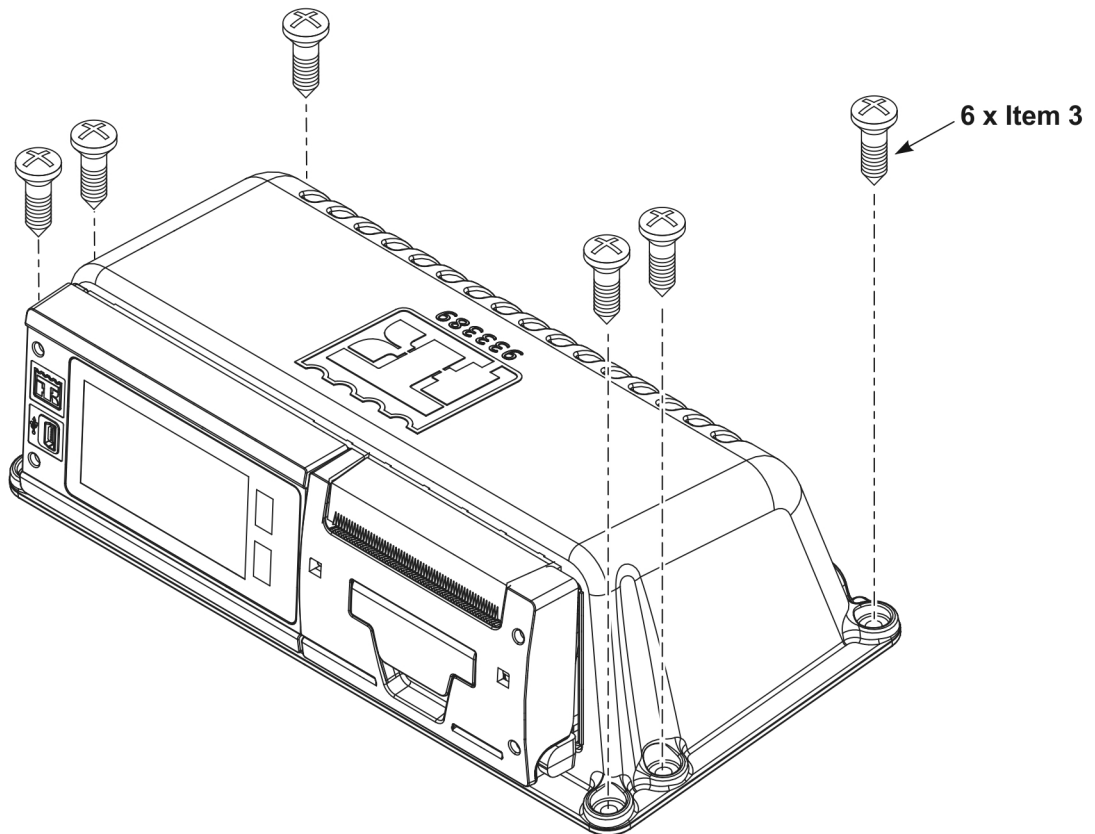
Push the bracket upwards to lock

BEC160

STEP 5



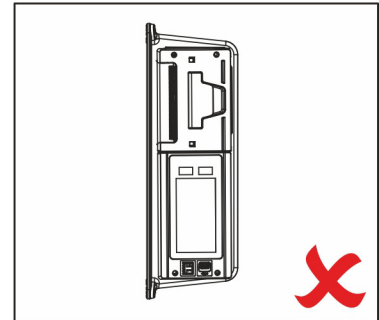
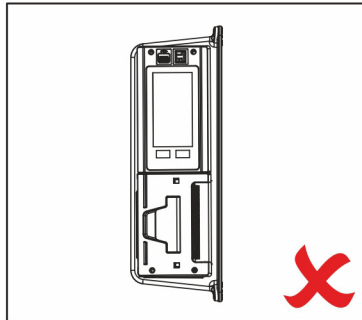
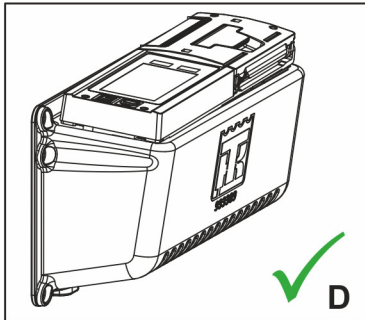
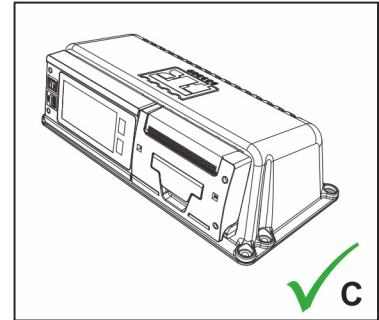
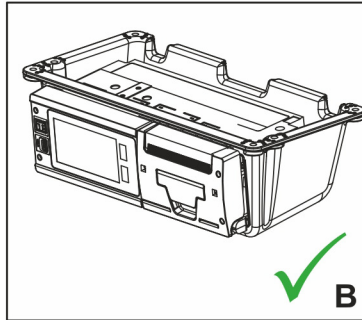
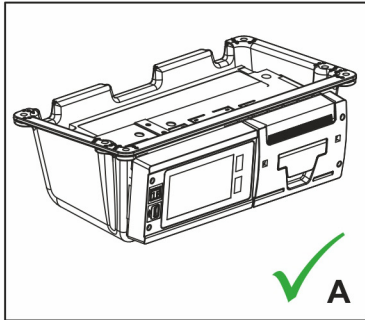
STEP 6



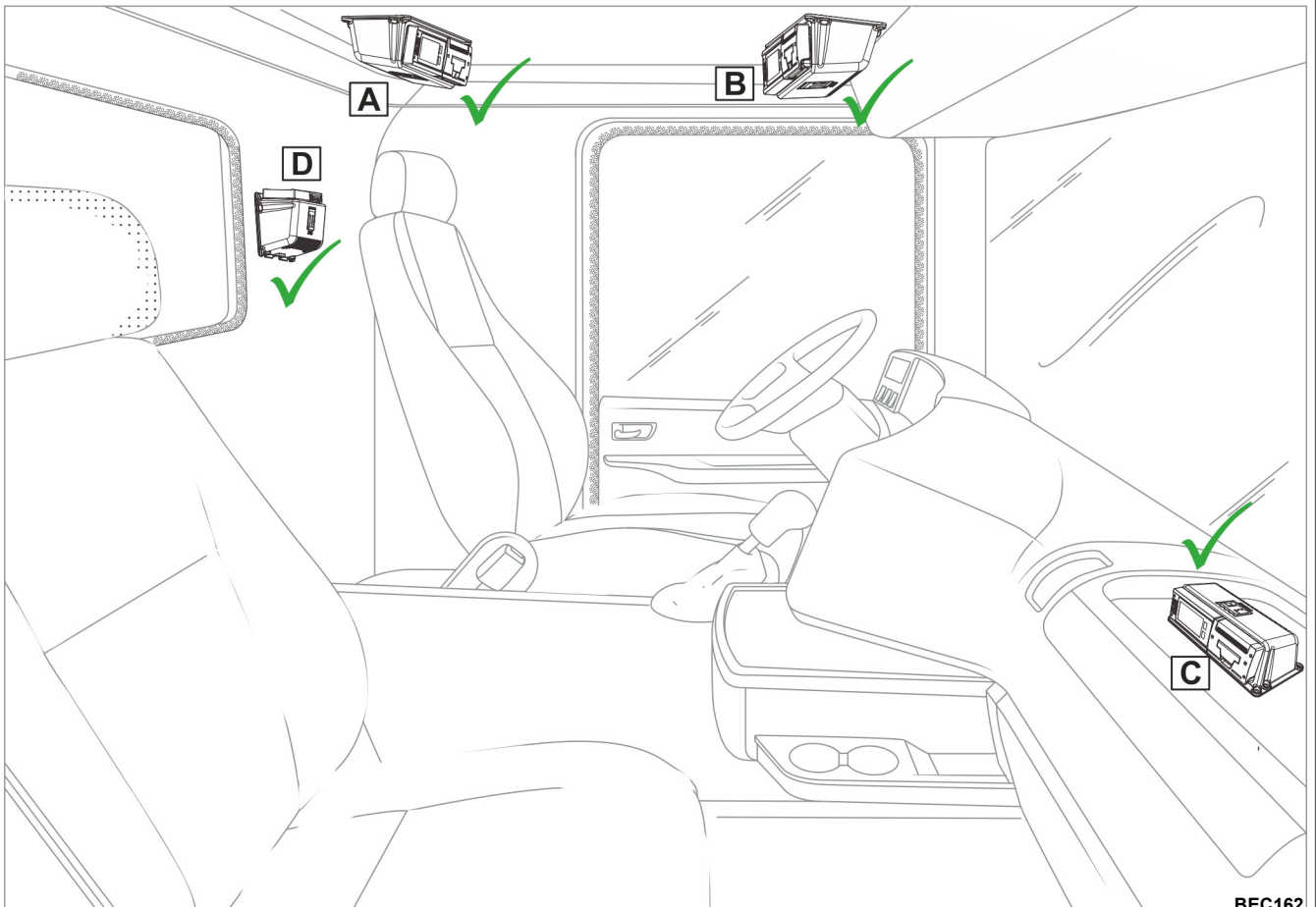
NOTE: Refer to next page for recommended mounting positions.

BEC161

MOUNTING POSITION



REFERENCE



BEC162